

# Illustra 200 Series Mini-Dome IP Cameras



## Features That Make a Difference:

- Standard resolution up to D1 with remote auto focus and motorized zoom lens
- Superior video quality, even in low-light
- True Day/Night (TDN) with mechanical IR cut filter
- Industry-leading outdoor durability with an IP67 rating
- H.264 compression
- UL plenum rated mount included in the indoor mini-dome
- Wide Dynamic Range (WDR) for viewing high contrast lighting scenes
- Integrated mount options with no additional parts or cost

The Illustra 200 Series of IP Cameras give you clear video in an entry level camera. As part of the Illustra 200 Series, the Illustra 210 Mini-Domes deliver four essential qualities: exceptional video quality, easy installation, open platform, and reduced cost.

The Illustra 210 Mini-Domes provide crisp and clear video. You can clearly see images of importance, whether in bright sun, near darkness or blackout conditions.

Installation is fast and easy. The mini-domes include three integrated mounting options: hard surface, electrical box and recessed mounts, ensuring fast installation with no additional cost or hardware. Configuration is also simplified with browser-based, one-touch auto-focus, motorized zoom, and remote management using the Illustra Connect tool.

The Illustra 210 Mini-Domes integrate with a variety of ONVIF-compliant NVRs and hybrid recorders, including the American Dynamics VideoEdge NVR and HDVR. Visit [www.americandynamics.net](http://www.americandynamics.net) for the latest integrations.

The IP 67 rated outdoor mini-dome takes a hard stance against challenging environmental conditions. Rated to -40°C with a 24v power supply, or -30°C over PoE+ 802.11at, these cameras thrive in extreme conditions. With no fans to break down or drying agent bags to replace, the IP67 ratings are tested to operate when submerged at 1m (3 ft) for 30 minutes. This is a significant advancement over IP66 rated outdoor cameras. In addition, the Illustra 210 "condensation killer" heater ring operates right where the lens meets the bubble to provide serious environmental protection for any outdoor application.

The Illustra 200 Series of IP cameras, including the Illustra 210 Mini-Domes, offer an excellent option for businesses looking for superior video quality, and premium features in a standard resolution camera.



# Features

## Less Time to Install

American Dynamics' dedication to ease of installation doesn't end with megapixel cameras. It applies to the full range of Illustra IP cameras. The Illustra 210 Mini-Domes include two rare features in standard resolution IP cameras: remote autofocus and motorized zoom. One-touch auto focus and integrated mounts ensure that a full Illustra deployment will take less time to install and require fewer parts to order.

## Plenum Rated Out of the Box

Customers will often pay hundreds of dollars for a plenum rated recessed mini-dome mount kit. Our Illustra 210 Indoor Mini-Domes include a plenum rated cap in every box at no additional charge.



Camera Body



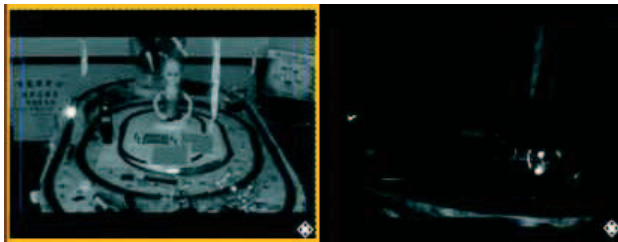
Plenum Rated Adaptor

## Blur Detection

In everyday situations, cameras get bumped or are subjected to vibration, causing the picture to go out of focus. With Illustra 210 Mini-Domes, blur detection analytics will issue an alert when that happens. With a simple touch of a browser button, security personnel can quickly re-focus the camera, eliminating the need for a maintenance call to fix it.

## Excellent Video Quality and Low Light Performance

Too often, significant security events take place at night or in low light conditions. This True Day/Night camera, with its powerful CMOS sensors and an integrated IR cut filter, delivers clean, crisp images in near darkness. This clarity has a further benefit – reduced storage cost. The “noisy” low light images of some megapixel cameras increase bandwidth and storage consumption, while the Illustra 210 Mini-Domes perform in low light at (0.11) lux vs. the top competitors.



The Illustra 200 Series performs in low light at .011 lux vs. the top competitors.

## PoE IR Illuminator

At night, when there is no ambient light, even a Day/Night camera will not provide a clear image. The Illustra 210 Mini-Domes with integrated IR illuminators light up even the darkest nighttime scenes, providing 24/7 security. Effective to a distance of 20m (60ft), the IR illuminators operate on PoE, eliminating the need for a separate power supply.



Scene no illumination

Scene with illumination

## Excellent Outdoor Protection

With an IP67 rating, the outdoor version of the Illustra 210 Mini-Domes thrives in extreme conditions down to -40°C with a 24v power supply, or -30°C over PoE+ 802.11at. There are no fans to break down, or drying agent bags to replace, making the mini-domes easy to maintain. They are tested to operate when submerged to 1m (3 ft) for 30 minutes.

## Indoor Recessed Mount

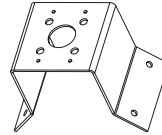
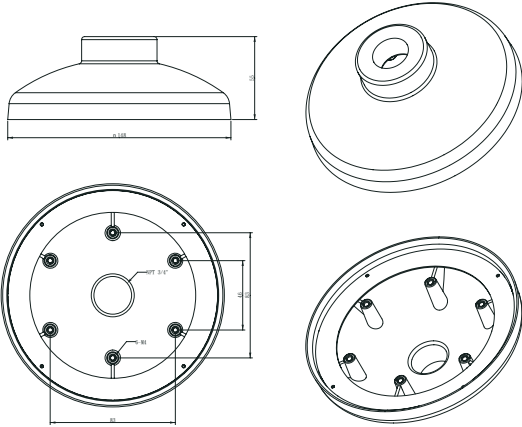
The Illustra 210 indoor model comes with a regulated airspace cap that achieves the UL plenum rating. There is no need for extra mount parts and there is no extra cost, as it is all included with the Mini-Dome.

## Easy Configuration: Illustra Connect

The free Illustra Connect configuration software ships with all Illustra cameras and is designed to simplify network discovery and configuration. Illustra Connect saves hours of installation time with remote firmware upgrading to selectable camera groups; setting IP addresses, naming cameras and outputting a summary site audit with the configuration settings of all cameras on the network.

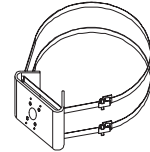
## Mounts and Accessories

### Pendant / Gooseneck Mounts

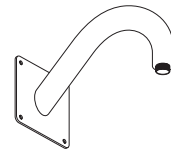


Outside corner mount adapter  
ADCDMCRNRO

For use with Pendant Cap and Gooseneck arm, or directly to the camera back plate



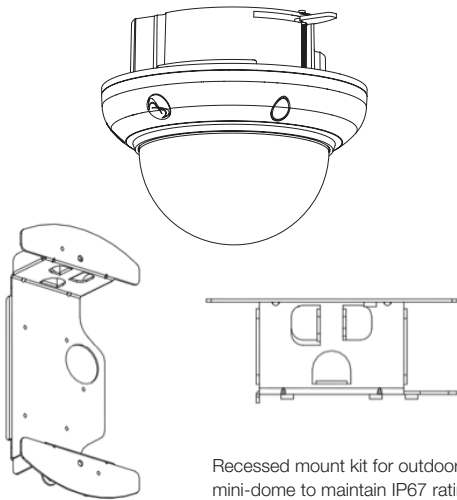
Pole mount adapter ADCDMPOLE  
For use with Pendant Cap and Gooseneck arm, or directly to the camera back plate



Gooseneck Arm  
ADLOMARM

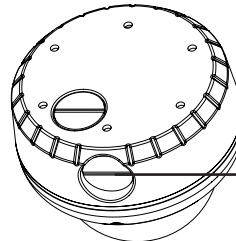
### Indoor / Outdoor Recessed Mounts

This model also comes with a regulated airspace cap (non-plenum).

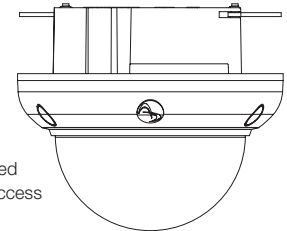


Recessed mount kit for outdoor mini-dome to maintain IP67 rating

Every model has a side and rear 3/4in National Pipe Thread threaded conduit access. To further reduce installation time, the 3-9mm lenses are motorized for remote zoom and one-touch auto focus. Now your installer simply hangs the camera, points it in the right direction and the rest of the job can be done quickly and easily from a web browser.



Surface and Electrical box mount



Integrated recessed mount

Threaded Conduit Access

|                      | ADCi210-Indoor  | ADCi210-Outdoor   |
|----------------------|---|---|
| <b>Operational</b>   |   |   |
| Video Compression    | H.264, MJPEG  | H.264, MJPEG  |
| Max Frame Rate       | H.264: 30ips 720x480; MJPEG: 30ips 720x480; NTSC, 25ips 720x576 PAL           | H.264: 30ips 720x480; MJPEG: 30ips 720x480; NTSC, 25ips 720x576 PAL           |
| Vandal Resistant     | No  | Yes   |
| ONVIF-Compliant      | Yes   | Yes   |
| Video Output         | 1.0 Vp-p, 75 ohm, composite, RCA service output                               | 1.0 Vp-p, 75 ohm, composite, RCA service output                               |
| Supported Resolution | D1, 2CIF, CIF (720x480 NTSC/720x576 PAL)                                      | D1, 2CIF, CIF (720x480 NTSC/720x576 PAL)                                      |
| Imager               | 1/2.7" CMOS progressive scan  | 1/2.7" CMOS progressive scan  |
| Day/Night            | Auto (true day/night)   | Auto (true day/night)   |
| Motion Detection     | Yes   | Yes   |
| Alarms               | Motion, schedule, dry contact, Ethernet loss, tamper detection                | Motion, schedule, dry contact, Ethernet loss, tamper detection                |
| Audio                | Bi-directional duplex, half-duplex  | Bi-directional duplex, half-duplex  |
| Alarm input/output   | 2/1   | 2/1   |
| Video Streams        | 2 simultaneous streams  | 2 simultaneous streams  |
| Minimum Illumination | 0.1 lux at F1.2 color, 0.03 lux at F1.2 b/w, 0.00 lux w/ IR Illuminator model | 0.1 lux at F1.2 color, 0.03 lux at F1.2 b/w, 0.00 lux w/ IR Illuminator model |
| Wide Dynamic Range   | 70dB, 9 level settings  | 70dB, 9 level settings  |
| Lens Type            | 3-9mm varifocal, IR corrected   | 3-9mm varifocal, IR corrected   |
| Plenum-Rated         | Yes   | Yes, with flush mount kit   |

|                                 | ADCi210-Indoor   | ADCi210-Outdoor  |
|---------------------------------|--|--|
| <b>Network</b>                  |  |  |
| Interface                       | Ethernet 10/100Base-TX   | Ethernet 10/100Base-TX   |
| Ethernet Port                   | RJ-45  | RJ-45  |
| Supported Protocols             | TCP/IP, DHCP, HTTP, ICMP, UPnP, ARP, DNS, DDNS, PPPoE, SMTP, FTP, RTSP   | TCP/IP, DHCP, HTTP, ICMP, UPnP, ARP, DNS, DDNS, PPPoE, SMTP, FTP, RTSP   |
| <b>Configuration Management</b> |  |  |
| Web Browser                     | MS IE 8  | MS IE 8  |
| Security                        | Multi-level, multi-users, IP address filtering, user access log, HTTPS   | Multi-level, multi-users, IP address filtering, user access log, HTTPS   |
| <b>Onboard Storage</b>          |  |  |
| Card Support                    | Micro SDHC 2.0 up to 32GB  | Micro SDHC 2.0 up to 32GB  |
| Pre-Alarm Recording             | Yes  | Yes  |
| Recording Format                | JPEG, AVI  | JPEG, AVI  |
| Playback                        | Via browser  | Via browser  |
| Recording Trigger               | Alarm, network loss, schedule, motion detection  | Alarm, network loss, schedule, motion detection  |
| <b>Simultaneous Users</b>       |  |  |
|                                 | Eight  | Eight  |
| <b>Electrical</b>               |  |  |
| Power Input                     | AC 24V, PoE IEEE 802.3af   | AC 24 V, PoE+ IEEE 802.3at   |
| Power Draw                      | 5W, 7W with IR illuminators on   | 31.5w 24VAC; 25w PoE+  |
| <b>Physical</b>                 |  |  |
| Dimensions (WxH) mm             | 135mm x 120mm  | 157mm x 147mm  |
| Dimensions (WxH) in             | 5.11 in. x 4.72 in.  | 6.18 in. x 5.79 in.  |
| Weight                          | .907 kg (2 lbs)  | 1.04 kg (2.3 lbs)  |
| Housing Color                   | White only   | White only   |
| Operating Temperature           | -10° C to 50° C (14° F to 122° F)  | -30° C to 50° C (-22° F to 122° F) via PoE+<br>-40° C to 50° C (-40° F to 122° F) via 24VAC                        |
| Outdoor Rating                  |  | IP66/IP67  |
| <b>Regulatory</b>               |  |  |
| Emissions                       | FCC 107 & 109, Part 15b<br>CE: EN55022, Class A; EN6100; 3-3<br>ICES-003/NMB-003, Class A; AS/NZS CISPR22, Class A | FCC 107 & 109, Part 15b<br>CE: EN55022, Class A; EN6100; 3-3<br>ICES-003/NMB-003, Class A; AS/NZS CISPR22, Class A |
| Immunity                        | CE: EN50130-4  | CE: EN50130-4  |
| Safety                          | UL   | UL   |

| Model        | Description   |
|--------------|---|
| ADCi210-D111 | Indoor D1, TDN, WDR, 3-9mm Auto Focus, PoE, white, clear bubble   |
| ADCi210-D011 | Indoor D1, TDN, WDR, 3-9mm Auto Focus, IR Illuminator, PoE, white, clear bubble                             |
| ADCi210-D121 | Outdoor D1, TDN, WDR, 3-9mm Auto Focus, vandal resistant, PoE+ heater, white, clear bubble                  |
| ADCi210-D021 | Outdoor D1, TDN, WDR, 3-9mm Auto Focus, IR Illuminator, vandal resistant, PoE+ heater, white, clear bubble  |
| ADCi210-D113 | Indoor D1, TDN, WDR, 3-9mm Auto Focus, PoE, white, smoked bubble  |
| ADCi210-D013 | Indoor D1, TDN, WDR, 3-9mm Auto Focus, IR Illuminator, PoE, white, smoked bubble                            |
| ADCi210-D123 | Outdoor D1, TDN, WDR, 3-9mm Auto Focus, vandal resistant, PoE+ heater, white, smoked bubble                 |
| ADCi210-D023 | Outdoor D1, TDN, WDR, 3-9mm Auto Focus, IR Illuminator, vandal resistant, PoE+ heater, white, smoked bubble |

## Related Products



HDVR



VideoEdge NVR Server

## Approvals



[www.americandynamics.net](http://www.americandynamics.net)

The trademarks, logos, and service marks displayed on this document are registered in the United States [or other countries]. Any misuse of the trademarks is strictly prohibited and Tyco International Ltd. will aggressively enforce its intellectual property rights to the fullest extent of the law, including pursuit of criminal prosecution wherever necessary. All trademarks not owned by Tyco International Ltd. are the property of their respective owners, and are used with permission or allowed under applicable laws.

Product offerings and specifications are subject to change without notice. Actual products may vary from photos. Not all products include all features. Availability varies by region; contact your sales representative.  
 © 2012 Tyco International Ltd. and its respective companies. All rights reserved. AD0253-DS-201208-R01-LT-EN